



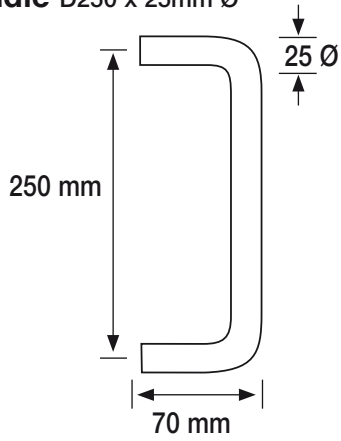
# THE BEAUTY OF GLASS

TAILOR MADE • GR-TOUGH SAFETY GLASS • HANDLES

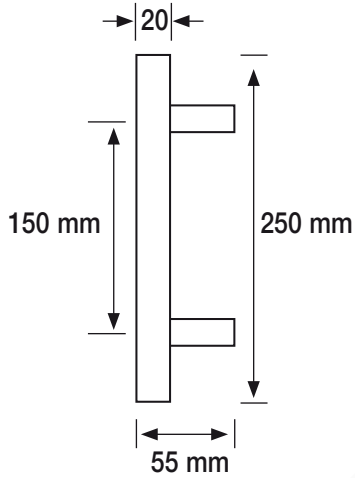
# COMMON HANDLE DETAIL

# GLASS DETAIL

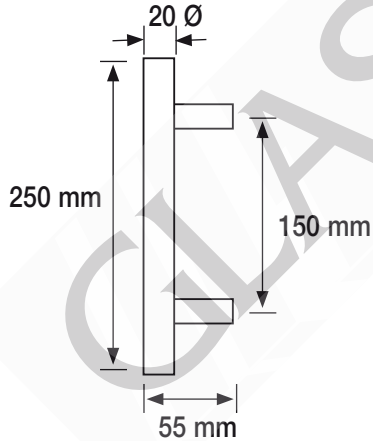
**D Handle** D250 x 25mm Ø



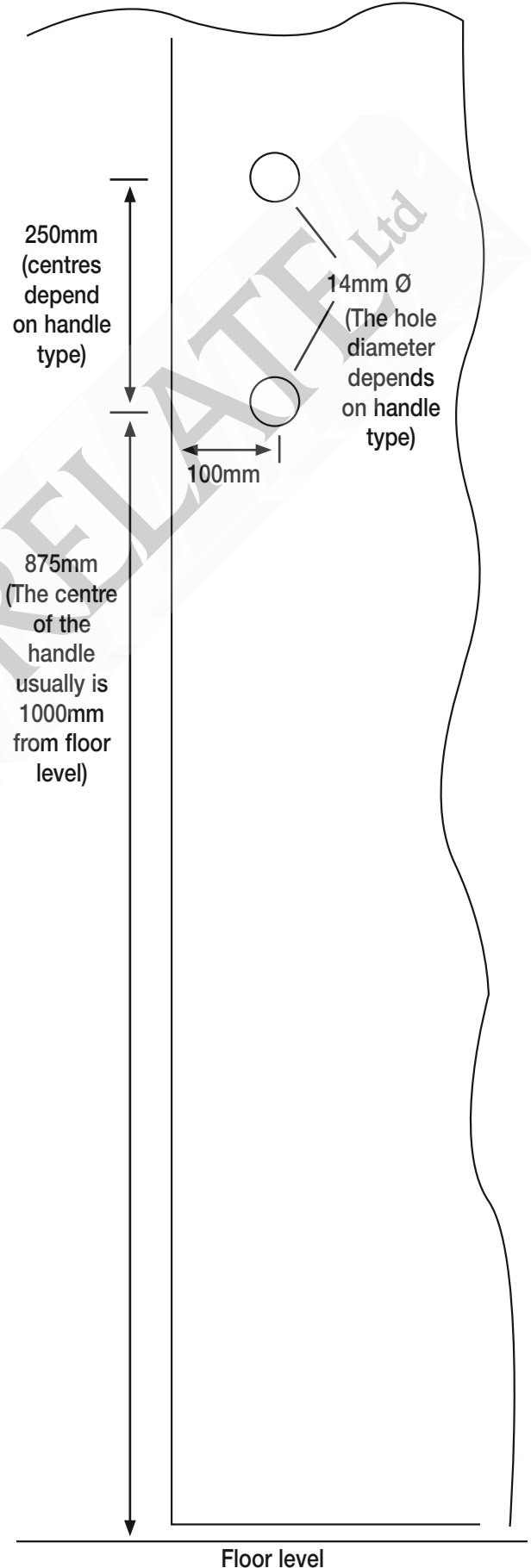
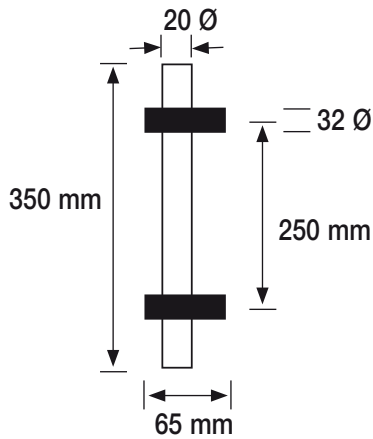
**Cube Handle** 150 x 20mm<sup>2</sup>



**Glacier Handle** 150 x 20mm Ø



**Ice Handle** 250 x 20mm Ø



## GLASS SIZES

- All handles are only suitable to be mounted to GR-Tough (Grade A toughened safety glass). Any thickness between 4 and 19mm.
- All handles come as a pair unless specifically requested otherwise.
- All handles are guaranteed for a period of 2 years.

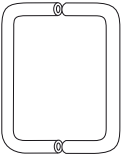

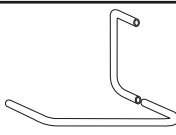
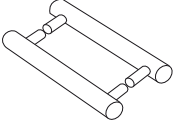
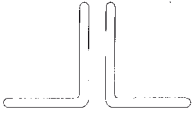
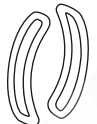
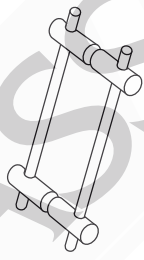

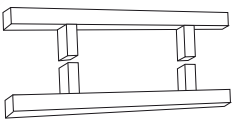

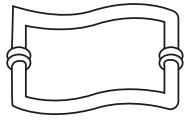
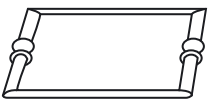
## HARDWARE

Designed for interior and exterior application.

Glass Relate Hardware Ltd is the exclusive distributor of mentioned hardware.

Finish options:

- stainless steel
- brass lacquered,
- gold
- polished chrome
- satin chrome
- or any combination of the above

Product	Description	Size Centres/Diameter	Hole Diameter for glass
	<b>D Shape Pair</b>	200 x 19 Ø 250 x 25 Ø 300 x 25 Ø 300 x 32 Ø 500 x 32 Ø	14 Ø
	<b>D Shape Single &amp; dome &amp; knob</b>	250 x 25S Ø 300 x 25S Ø 400 x 25S Ø 500 x 25S Ø	14 Ø
	<b>L Shape Single (Towel Rail)</b>	200 x 400 x 25 Ø 200 x 500 x 25 Ø	14 Ø
	<b>Glacier Handle</b>	150 x 20 Ø 250 x 20 Ø	12 Ø
	<b>L Shape Pair</b>	450 x 32 Ø 600 x 32 Ø	14 Ø
	<b>C Shape Pair</b>	300 x 32 Ø 500 x 32 Ø	14 Ø
	<b>Ice Handle (Chrome)</b>	250 x 20 Ø 400 x 20 Ø	14 Ø
	<b>Ice Handle (Clear)</b>	250 x 20 Ø 400 x 20 Ø	14 Ø
	<b>Knob Set Pair</b>	25 Ø 40 Ø 50 Ø	14 Ø
	<b>Cube Handle</b>	150 x 20 mm <sup>2</sup> 250 x 20 mm <sup>2</sup>	12 Ø
	<b>Arc Handle</b>	210 mm c/c	14 Ø
	<b>Wave Handle</b>	170 mm c/c	14 Ø
	<b>Frost Handle</b>	170 mm c/c	14 Ø



New Zealand Distributor

Your Local Supplier

**GLASS RELATE** Ltd

**Hardware**

21 Soljans Drive, Henderson, Waitakere, New Zealand.  
PO Box 104224, Lincoln North, Waitakere 0654, New Zealand.  
Phone: (09) 838 0701 Fax: (09) 838 0707  
Email: hardware@glassrelate.co.nz Web: www.glassrelate.co.nz