

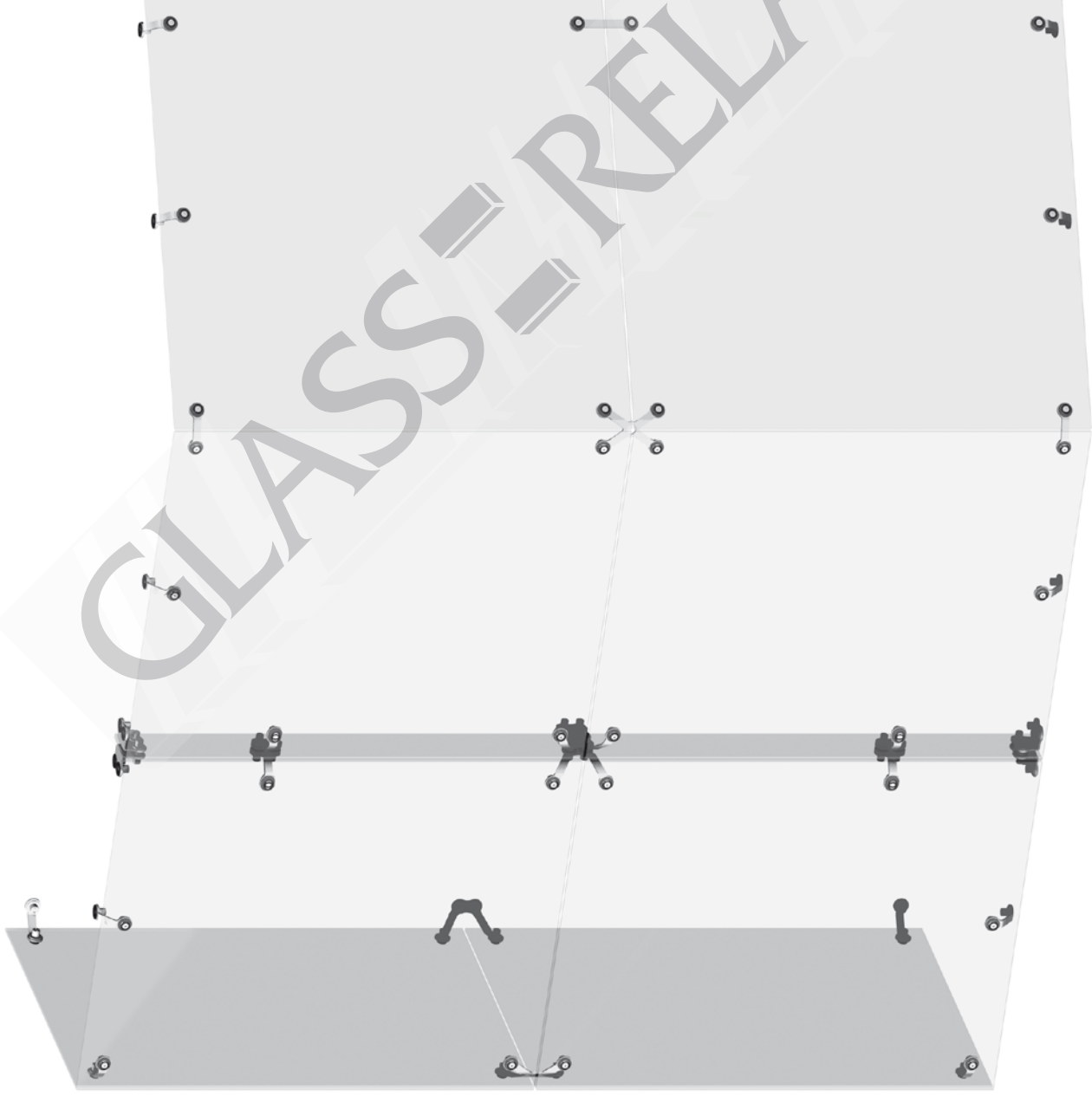
TARANTULA



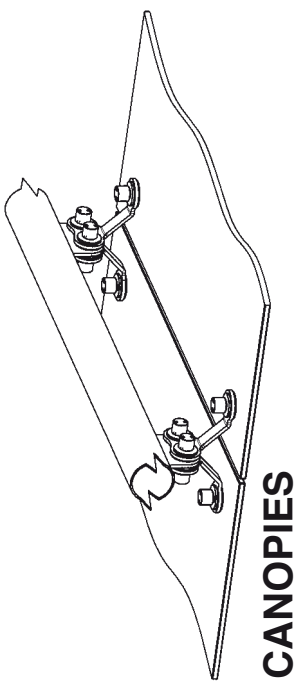
THE BEAUTY OF GLASS

TAILOR MADE • GR-TOUGH SAFETY GLASS • FEATURE WALLS

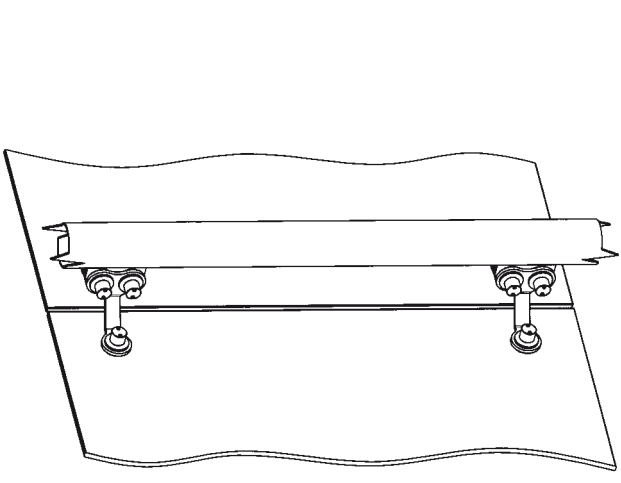
TYPICAL INSTALLATIONS WITH TARANTULA FITTINGS



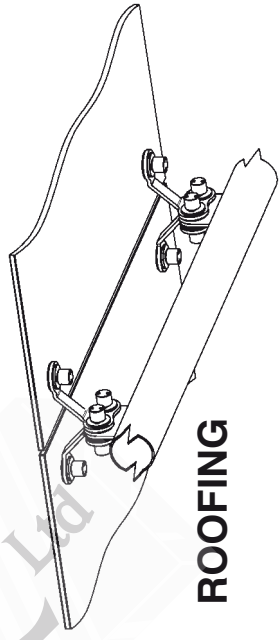
SHOP FRONTS - FEATURE WALLS



CANOPIES



BALUSTRADES



ROOFING

FITTINGS

PRODUCT DESCRIPTION

TYPE

GLASS OPTIONS

Clear Toughened	10/12/15/19mm
Green Toughened	10mm only
Bronze Toughened	10mm only
Grey Toughened	10mm only

● All fittings have unique adjustment feature.

● All hardware is stainless steel 304 or 316 for interior and exterior use, polished, brushed, or powder coated.

● When installed correctly, hardware is guaranteed for a period of five years.

● Glass Relate Hardware Ltd is exclusive distributor of Tarrantula fittings.

● Technical advisory, shop drawings and obligation free quotations are available.

● Tailor made fittings on request.

● Guideline glass weight per fixing point is 15-20Kg, safety factor 5.

- 10mm glass = 25 kg/m²
- 12mm glass = 30 kg/m²
- 15mm glass = 37.5 kg/m²
- 19mm glass = 47.5 kg/m²

1.		GRL - 2S (180°)
2.		GRL - 2L (180°)
13.		GRL - 2L (90°)
4.		GRL - 2S (2 x 45°)
5.		GRL - 2S (2 x 22.5°)
6.		GRT - 3 (2 x 45°)
7.		GRT - 6 (4 x 45°)

8.		GRT - 4 (2 x 45°)
9.		GRT - 8 (4 x 45°)
10.		GRT - 12 (4 x 45°)
11.		GRT - 16 (4 x 45°)

12.		GRT - 5 (4 x 45°)
13.		GRT - 5 (4 x 22.5°)
14.		GRB - 8 (2 x 90°)
15.		GRB - 12 (2 x 90°)



New Zealand Distributor

Your Local Supplier

GLASS RELATE Ltd

Hardware

21 Soljans Drive, Henderson, Waitakere, New Zealand.
PO Box 104224, Lincoln North, Waitakere 0654, New Zealand.
Phone: (09) 838 0701 Fax: (09) 838 0707
Email: hardware@glassrelate.co.nz Web: www.glassrelate.co.nz