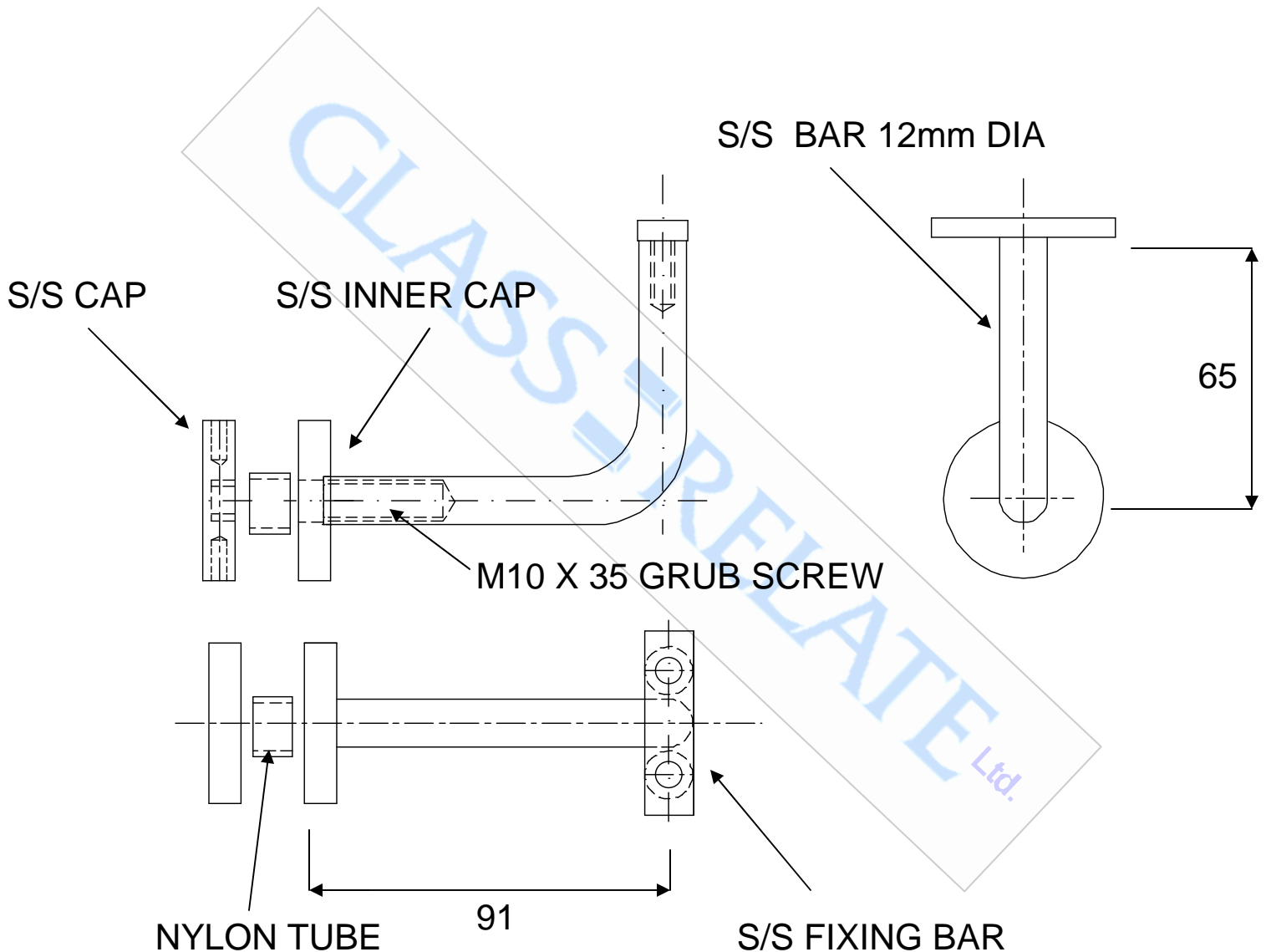


## GR2000 GLASS TO RAIL BRACKET



**MATERIAL 316 STAINLESS STEEL**