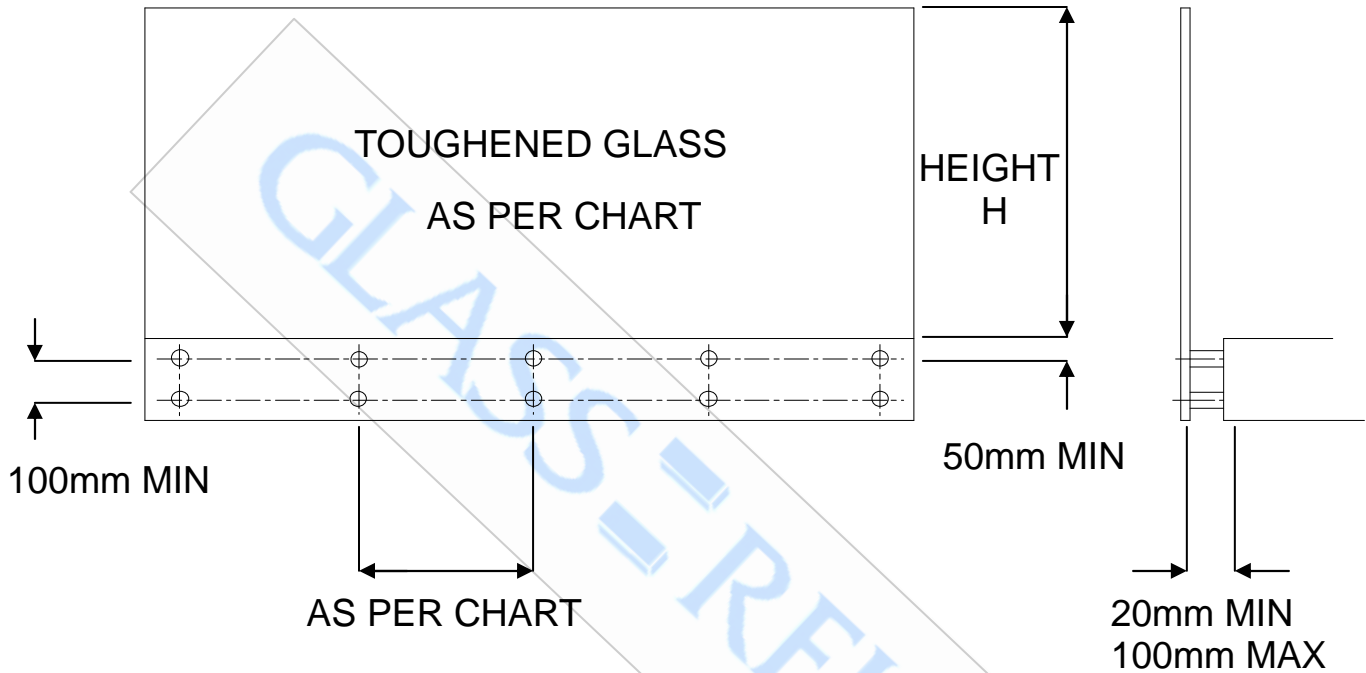


## Technical Information Sheet Copyright 2009



SITUATION	HEIGHT	MAX BENDING MOMENT	REQUIRED GLASS THICKNESS
<b>A</b> INTERNAL DOMESTIC SITUATION ONLY AND POOL FENCES WITH NO CHANGE IN LEVEL (MAX UPWIND SLOPE=0.1)	1.0m	1.1 Kn-m (Wind)	12mm
	1.2m	1.6 Kn-m (Wind)	12mm
<b>B</b> DOMESTIC BALCONY EDGES, OFFICES AND WOK AREAS	1.0m	1.8 Kn-m (Wind)	12mm
	1.1m	2.2 Kn-m (Wind)	15mm
<b>C</b> RETAIL AREAS AND PEDESTRIAN AREAS IN CAR PARKS (NOT SUBJECT TO OVER CROWDING)	1.0m	2.4 Kn-m (TOP EDGE LOAD)	15mm
	1.1m	2.6 Kn-m (TOP EDGE LOAD)	19mm
<b>D</b> ALL AREAS POTENTIALLY SUBJECT TO OVER CROWDING	1.0m	4.8 Kn-m (TOP EDGE LOAD)	19mm
	1.1m	5.3 Kn-m (TOP EDGE LOAD)	12/3/10 laminated

SITUATION	HEIGHT	REQUIRED SPACINGS OF ANCHORS			
		M10 CHEMSET	M10 BOLTS/STEEL	M10 BOLTS/TIMBER	2 14G SCREWS/TIMBER
<b>A</b> INTERNAL DOMESTIC SITUATION ONLY AND POOL FENCES WITH NO CHANGE IN LEVEL (MAX UPWIND SLOPE=0.1)	1.0m	400mm	400mm	132mm	129mm
	1.2m	363mm	400mm	96mm	94mm
<b>B</b> DOMESTIC BALCONY EDGES, OFFICES AND WORK AREAS (NOT SUBJECT TO OVER CROWDING)	1.0m	400mm	400mm	134mm	132mm
	1.1m	400mm	400mm	112mm	109mm
<b>C</b> RETAIL AREAS AND PEDESTRIAN AREAS IN CAR PARKS (NOT SUBJECT TO OVER CROWDING)	1.0m	400mm	400mm	134mm	132mm
	1.1m	400mm	400mm	112mm	109mm
<b>D</b> ALL AREAS POTENTIALLY SUBJECT TO OVER CROWDING	1.0m	270mm	362mm	71mm	69mm
	1.1m	256mm	344mm	67mm	66mm