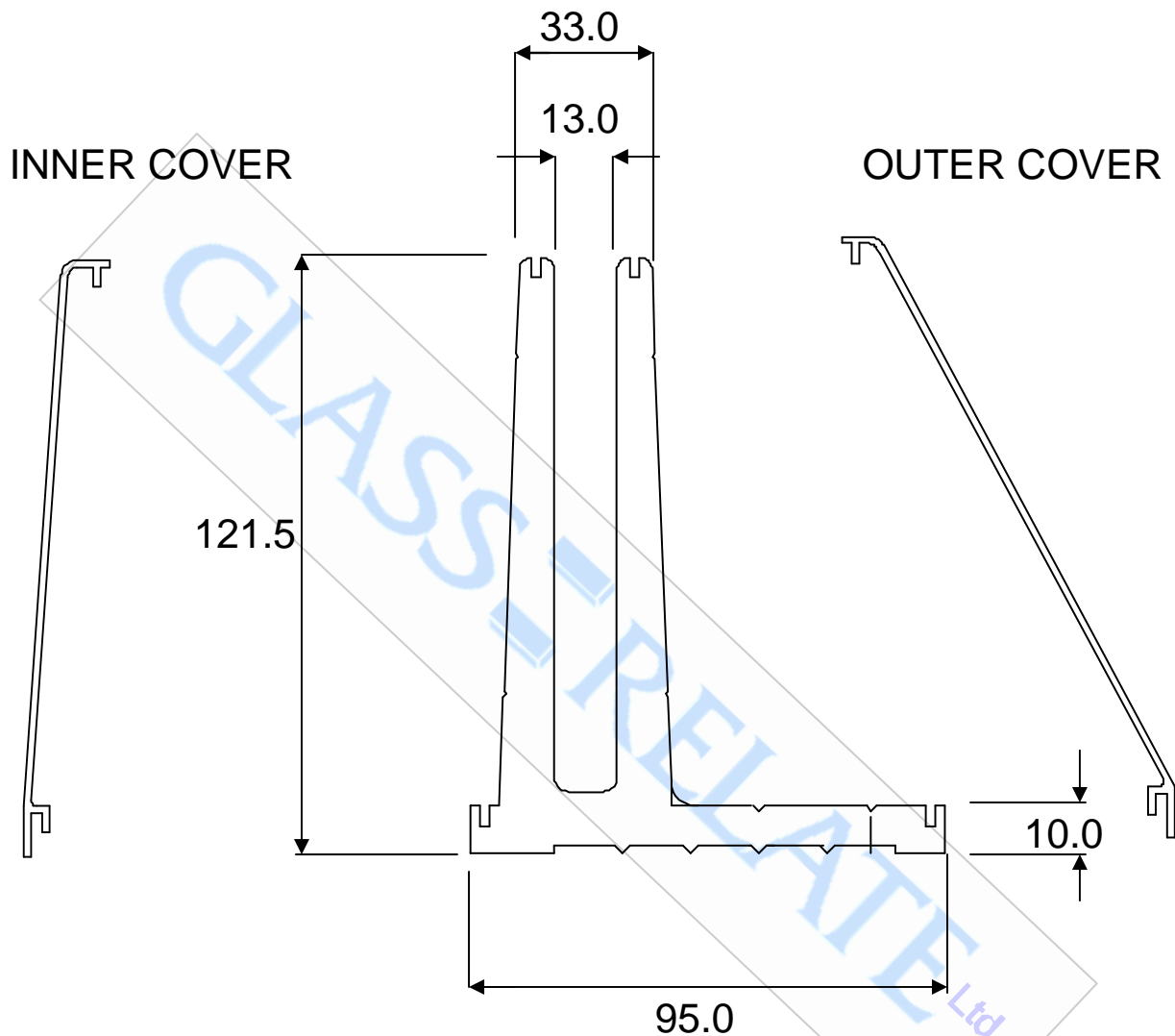


Technical Information Sheet  
Copyright 2009



## GR4820 DRY BALUSTRADE CHANNEL SURFACE FIXED MATERIAL 6060 T5 ALUMINIUM